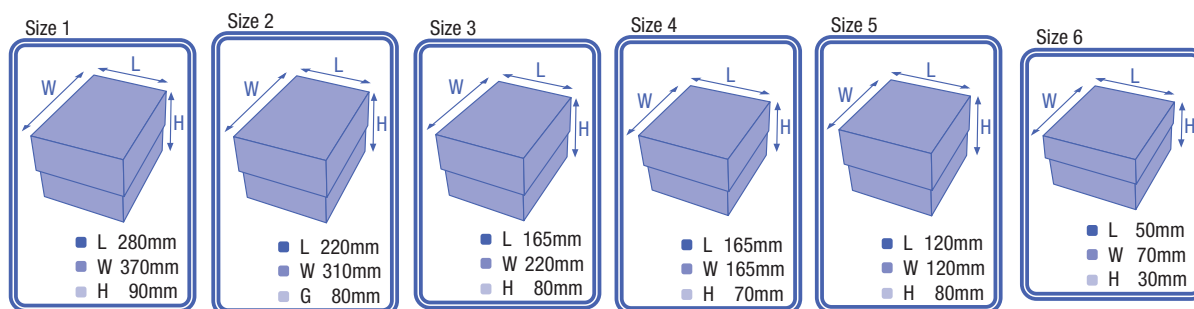


## Artwork Specifications

Keepme is happy to help with any queries or problems with regards to artwork, if you are unsure about any aspect of your artwork please email or phone a member of our friendly sales team for assistance.

We strongly advise that artwork is generated only in the following design programs; Adobe Photoshop, Adobe Illustrator, Quark Xpress and Acrobat. Artwork should be saved and supplied in the following formats: PSD, AI, PDF, EPS, TIFF, or JPEG format. Keepme will not accept responsibility for any irregular results from artwork generated in any other software packages.

## Box Sizes



## Saving Artwork

All artwork must include a 3mm bleed on all sides of the document - all text and images should be at least a further 5mm from the crop marks (8mm from edge of artwork).

Files should be centred to the document and no artwork should exceed the document page.

Files should be supplied uncompressed wherever possible.

## Resolution

All raster artwork (non vector) should be supplied at a minimum of 300dpi, any artwork supplied lower than 300dpi may print blurred - Keepme will not accept responsibility for this.

## Colour

Pantone matched artwork must be referenced upon an order being placed.

For artwork created with CMYK and Pantone colours, please contact our sales team for the additional costings.

Keepme cannot take responsibility for any unexpected results experienced from artwork supplied in RGB colour.

## Type

All fonts used should be converted to outline, flattened or embedded into the artwork. If required, we can accept both PC & Mac fonts along with your artwork - please let us know in advance if this is required.

## Transparency

If using the transparency or effects in Adobe Illustrator, transparencies must be flattened and the files then saved as PDF or bitmap (TIFF or JPEG) before supplying.

## Sending Artwork

Artwork can be sent over in the following procedures:

Email: artwork can be emailed if the file size is less than 3 megabytes - please let us know in advance before emailing.

FTP: we have an ftp site for transferring larger artwork files - please phone or email for username and password details.

CD: CDs will not be returned unless specified at the time of order.

Post CD artwork to:

Keepme Bags  
2 New Concordia Wharf  
Mill Street  
London  
SE1 2BB

All artwork can be supplied with a colour print proof, Keepme will use the print as a reference when proofing. We will not accept responsibility for any errors if no proof is supplied.